



Dell Networking W-IAP270 Series Outdoor Instant Access Point Installation Guide

The Dell W-IAP274 and W-IAP275 Instant Access Point (IAP) are environmentally hardened, outdoor rated, dual-radio IEEE 802.11ac wireless access points (AP). These Instant access points use MIMO (Multiple-Input, Multiple-Output) technology and other high-throughput mode techniques to deliver high-performance, 802.11ac 2.4 GHz and 5 GHz functionality while simultaneously supporting existing 802.11a/b/g/n wireless services.

W-IAP270 Series Operations

- Wireless transceiver
- Wireless Instant access point (IEEE 802.11 a/b/g/n/ac)
- Wireless air monitor (IEEE 802.11 a/b/g/n/ac)
- Protocol-independent networking functionality
- Compatibility with IEEE 802.3at PoE



NOTE: The W-IAP270 Series Instant access point requires Dell Instant 4.1 or later.

Guide Overview

- [“W-IAP270 Series Hardware Overview” on page 3](#) provides a detailed hardware overview of the W-IAP274 and W-IAP275 Instant access points.
- [“Before You Begin” on page 8](#) provides key questions to ask and items to consider when deploying an outdoor wireless network.
- [“Installing the IAP” on page 9](#) describes the multi-step process for successful installation and deployment of the W-IAP274 and W-IAP275 Instant access points.
- [“Safety and Regulatory Compliance” on page 13](#) provides an overview of safety and regulatory compliance information.

Package Contents

- W-IAP274 or W-IAP275 Instant Access Point
- Cable Glands x2
- Copper Lug x1
- M4x6 Screw x1
- USB Console Cable
- Installation Guide (this document)
- Professional Installation Guide Supplement (included with W-IAP274 only)
- Quick Start Guide
- Dell Safety, Environmental, and Regulatory Information
- Dell Software License Agreement
- Dell Warranty and Support Information



NOTE: The weatherproof caps for Ethernet, Console, and power interfaces are connected to the IAP in the package.



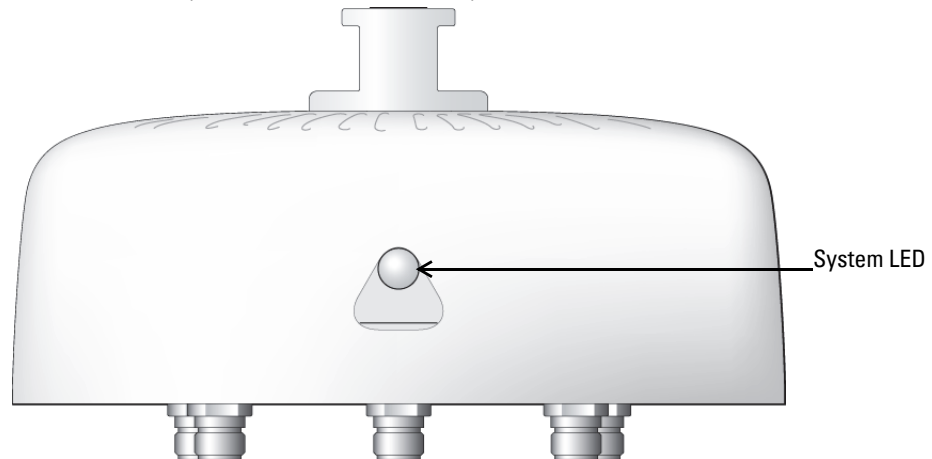
NOTE: Mounting kits for use with the W-IAP270 Series Instant access points are sold separately. Contact your Dell sales representative for details.



NOTE: Inform your supplier if there are any incorrect, missing, or damaged parts. If possible, retain the carton, including the original packing materials. Use these materials to repack and return the unit to the supplier if needed.

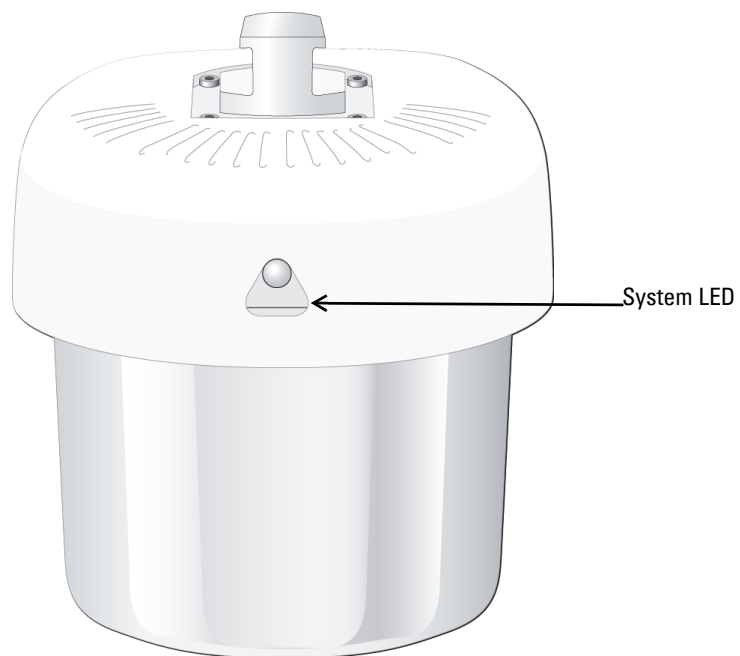
W-IAP270 Series Hardware Overview

Figure 1 *W-IAP274 Front View (Aesthetic Cover Removed)*



NOTE: The antenna connectors of W-IAP274 Instant access point are covered by an aesthetic cover in the package. The aesthetic cover can be removed when necessary.

Figure 2 *W-IAP275 Front View*



LED

The W-IAP270 Series Instant access point is equipped with one LED that indicates the system status of the IAP.

Table 1 *W-IAP270 Series LED Status during Boot Up*

LED	Color/State	Meaning
System LED	Off	No power to IAP
	Red	Initial power-up
	Green - Flashing	IAP booting
	Green - Steady	IAP ready and 1000Mbps Ethernet link established. The LED turns off after 1200 seconds
	Green - Yellow, 6 seconds period	IAP ready and 10/100Mbps Ethernet link established. The LED turns off after 1200 seconds

Table 2 *W-IAP270 Series LED Status during Operation*

LED	Color/State	Meaning
System LED	Solid Red	General fault
	One blink off every 3 seconds	Radio 0 fault (5 GHz)
	Two quick blink off 0.5 seconds apart cycled every 3 second	Radio 1 fault (2.4GHz)

Figure 3 *W-IAP274 Rear View*

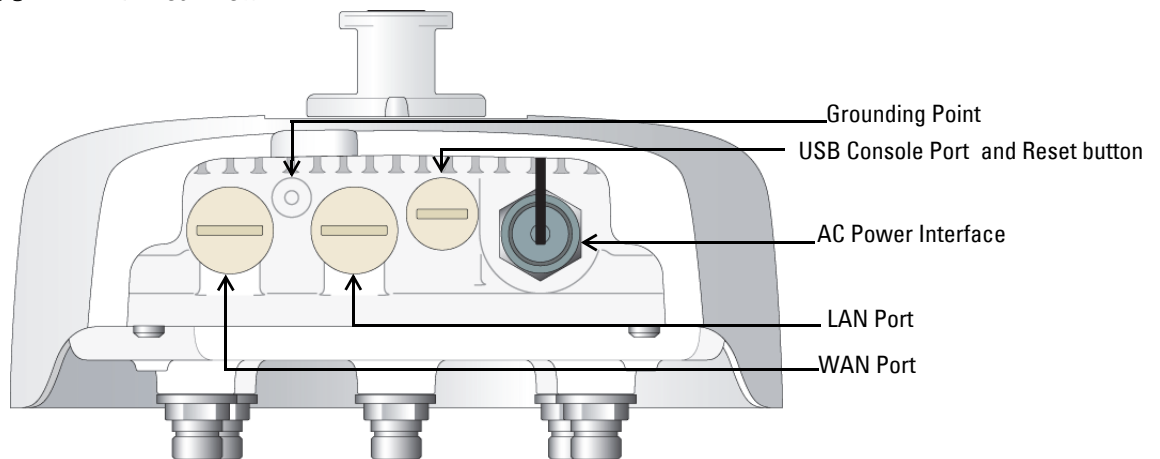
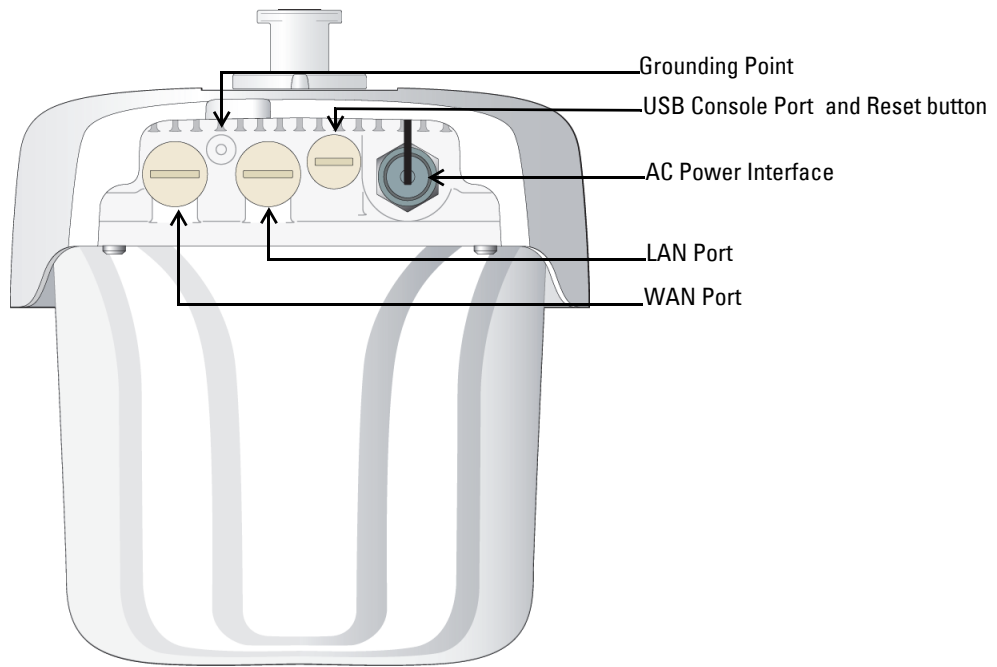


Figure 4 W-IAP275 Rear View



USB Console Port

The USB Micro-B console port allows you to connect the IAP to a terminal or a laptop for direct local management. Use the included USB console cable to connect the IAP. You can download the necessary driver for USB-UART adapter from download.dell-pcw.com under the Tools & Resources tab.

Use the following setting to access the terminal:

Table 3 Console Settings


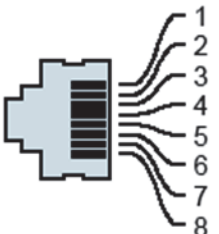
Baud Rate	Data Bits	Parity	Stop Bits	Flow Control
9600	8	None	1	None

Ethernet Ports

The W-IAP270 Series Instant access point is equipped with two 10/100/1000Base-T (RJ-45) Gigabit Ethernet ports (WAN and LAN port) for wired network connectivity. The WAN port supports 802.3at Power over Ethernet (PoE), accepting 48 VDC (nominal) as a standard defined Powered Device (PD) from a Power Sourcing Equipment (PSE) such as a PoE midspan injector.

These ports have RJ-45 female connectors with the pin-outs shown in [Figure 5](#).

Figure 5 Gigabit Ethernet port Pin-Out

1000Base-T Gigabit Ethernet Port	RJ-45 Female Pin-Out	Signal Name	Function	
		1	BI_DA+	Bi-directional pair +A, PoE Negative
		2	BI_DA-	Bi-directional pair -A, PoE Negative
		3	BI_DB+	Bi-directional pair +B, PoE Positive
		4	BI_DC+	Bi-directional pair +C, PoE Positive
		5	BI_DC-	Bi-directional pair -C, PoE Positive
		6	BI_DB-	Bi-directional pair -B, PoE Positive
		7	BI_DD+	Bi-directional pair +D, PoE Negative
		8	BI_DD-	Bi-directional pair -D, PoE Negative

Reset Button

The reset button can be used to return the IAP to factory default settings. To reset the IAP:

1. Power off the IAP.
2. Press and hold the reset button using a small, narrow object, such as a paperclip.
3. Power-on the IAP without releasing the reset button. The system LED will flash within 5 seconds.
4. Release the reset button.

The system LED will flash again within 15 seconds indicating that the reset is completed. The IAP will now continue to boot with the factory default settings.

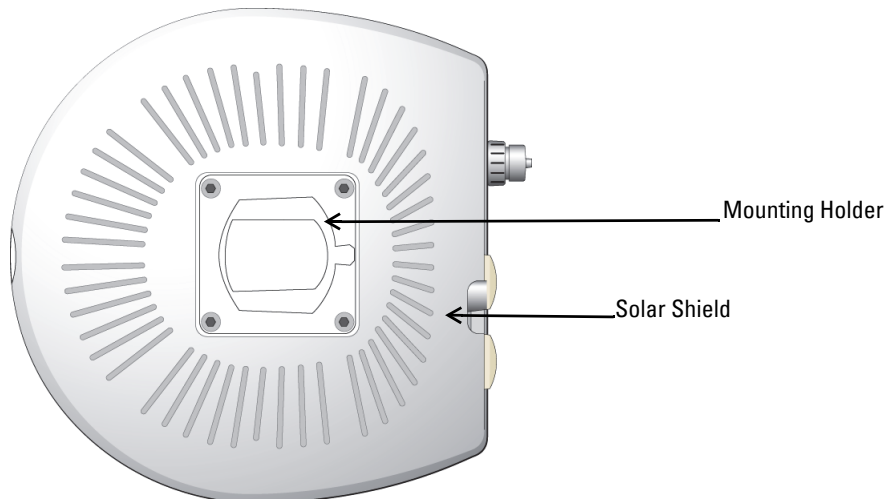
AC Power Interface

The W-IAP270 Series Instant access point is capable of AC power in the range of 100 - 240 VAC. The power cord or power connector kit is sold separately.

Grounding Point

Always remember to protect the IAP by installing grounding lines. The ground connection must be complete before connecting power to the IAP enclosure.

Figure 6 *W-IAP274 and W-IAP275 Top View*



The solar shield with the mounting holder is fixed onto the W-IAP270 Series Instant access point before shipping from the factory.

Figure 7 *W-IAP274 Bottom View*

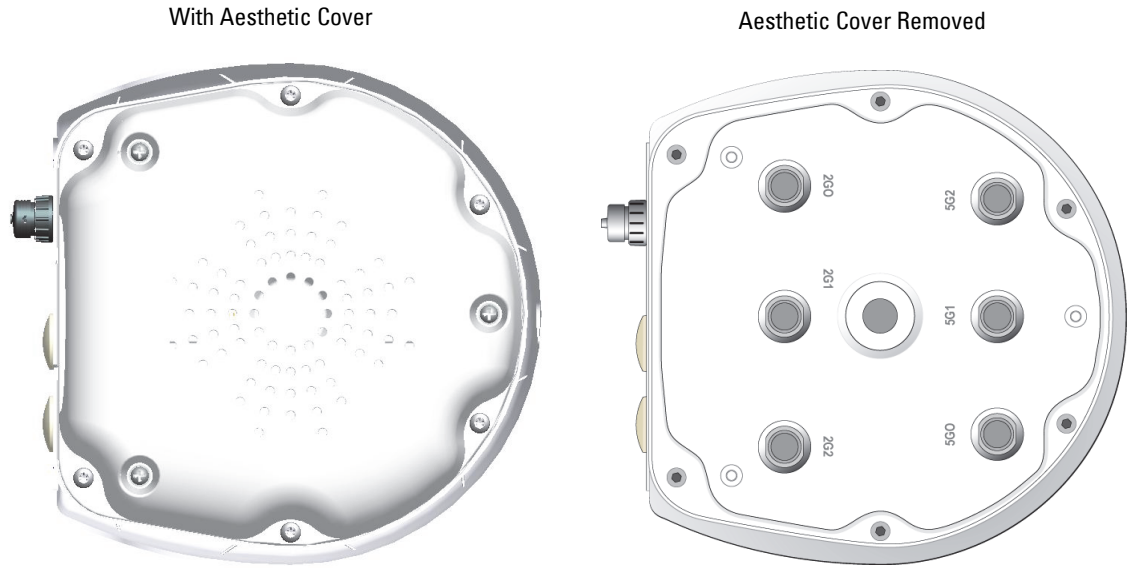
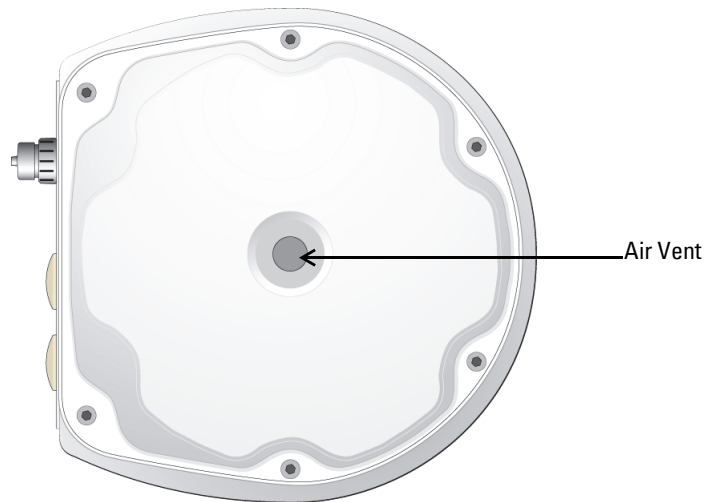


Figure 8 *W-IAP275 Bottom View*



External Antenna Connectors

The W-IAP274 Instant access point is equipped with six N-type female connectors for external antenna. The connectors are labeled 2G0, 2G1, 2G2, 5G0, 5G1 and 5G2, and correspond to 2.4/5Ghz radio chains 0,1, and 2 .



NOTE: Please install the external antennas according to the manufacturer's instruction and connect the antennas to the N-type female antenna connectors on the W-IAP274 Instant access point.

Air Vent

The bottom of the W-IAP270 Series Instant access point has an air vent to balance the pressure and humidity inside and outside the IAP. It also allows air exchange between the IAP and the environment in a controlled way that doesn't allow water to get in.

Before You Begin



CAUTION: FCC Statement: Improper termination of access points installed in the United States configured to non-US model controllers will be in violation of the FCC grant of equipment authorization. Any such willful or intentional violation may result in a requirement by the FCC for immediate termination of operation and may be subject to forfeiture (47 CFR 1.80).

CAUTION: EU Statement:

Lower power radio LAN product operating in 2.4 GHz and 5 GHz bands. Refer to the *Dell Networking W-Series Instant User Guide* for details on restrictions.



Produit réseau local radio basse puissance operant dans la bande fréquence 2.4 GHz et 5 GHz. Merci de vous référer au *Dell Networking W-Series Instant User Guide* pour les détails des restrictions.

Low Power FunkLAN Produkt, das im 2.4 GHz und im 5 GHz Band arbeitet. Weitere Informationen bezüglich Einschränkungen finden Sie im *Dell Networking W-Series Instant User Guide*.

Apparati Radio LAN a bassa Potenza, operanti a 2.4 GHz e 5 GHz. Fare riferimento alla *Dell Networking W-Series Instant User Guide* per avere informazioni dettagliate sulle restrizioni.



NOTE: Dell in compliance with governmental requirements, has designed the W-IAP270 Series Instant access point such that only authorized network administrators can change configuration settings. For configuration information, refer to the *Dell Networking W-Series Instant Quick Start Guide* and *Dell Networking W-Series Instant User Guide*.



CAUTION: Access points are radio transmission devices and as such are subject to governmental regulation. Network administrators responsible for the configuration and operation of access points must comply with local broadcast regulations. Specifically, access points must use channel assignments appropriate to the location in which the access point will be used.

Identifying Specific Installation Locations

You can mount the W-IAP270 Series Instant access point on a wall or pole. Use the IAP placement map generated by Dell VisualRF Plan software tool to determine the proper installation location(s). Each location should be as close as possible to the center of the intended coverage area and should be free from obstructions or obvious sources of interference. These RF absorbers/reflectors/interference sources will impact RF propagation and should have been accounted for during the planning phase and adjusted for in RF plan.

Identifying Known RF Absorbers/Reflectors/Interference Sources

Identifying known RF absorbers, reflectors, and interference sources while in the field during the installation phase is critical. Make sure that these sources are taken into consideration when you attach an IAP to its fixed location. Examples of sources that degrade RF performance include:

- Cement and brick
- Objects that contain water
- Metal
- Microwave ovens
- Wireless phones and headsets

Installing the IAP



NOTE: Service to all Dell Networking products should be performed by trained service personnel only.

Using the Mounting Kits

The W-IAP270 Series Instant access point can be installed on a wall or attached to a pole using one of the following mounting kits:

Table 4 *Mounting Kits for W-IAP270 Series Instant access point*

Part Number	Description
AP-270-MNT-V1	Long mounting kit for wall and vertical pole mounting, 300 mm from vertical mounting asset.
AP-270-MNT-V2	Short mounting kit for wall and vertical pole mounting, 75 mm from vertical mounting asset.
AP-270-MNT-H1	Mounting kit for hanging from inclined or horizontal structure.



NOTE: The W-IAP270 Series Instant access point does not ship with any mounting kits. These mounting kits are available as accessories and must be ordered separately.



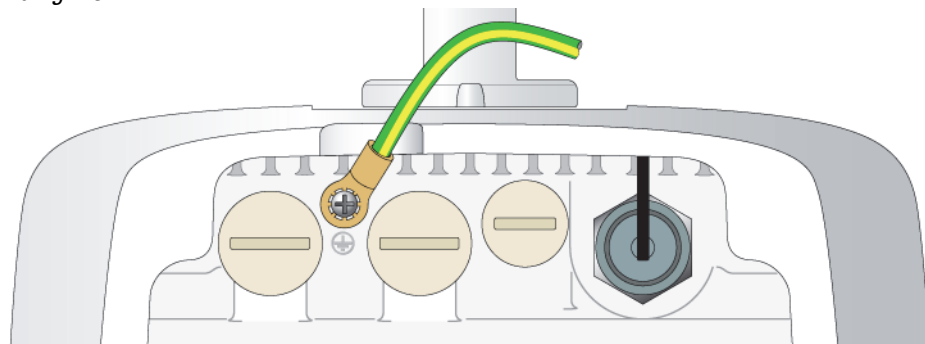
NOTE: For installation instructions on AP-270-MNT-V1, AP-270-MNT-V2 and AP-270-MNT-H1, please refer to the *AP-270-MNT-V1 Installation Guide*, *AP-270-MNT-V2 Installation Guide* and *AP-270-MNT-H1 Installation Guide* respectively.

Grounding the IAP

After the W-IAP270 Series Instant access point is installed using one of the mounting kits above, the grounding must be completed before powering up the IAP. The grounding wire should be #8 AWG.

1. Peel the cover of one end of the grounding wire and place the bare grounding wire into the included copper lug, and press firmly with the crimping pliers.
2. Fasten the copper lug to the grounding hole on the W-IAP270 Series Instant access point with the M4 x6 screw included in the IAP package as shown in [Figure 9](#).

Figure 9 *Grounding the IAP*



Connecting the Ethernet Cable

To connect the Ethernet cable to the W-IAP270 Series Instant access point, perform the following steps using the cable glands that were shipped with the IAP.

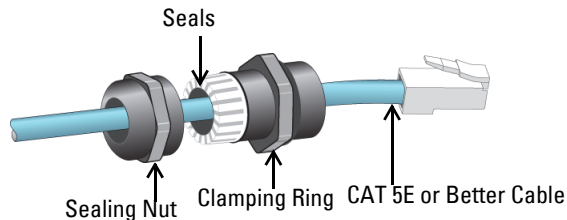


WARNING: Failure to use the included Ethernet cable glands can lead to connectivity and PoE issues.



NOTE: The cable is not included and must be purchased separately. Purchase a suitable UV-resistant, outdoor rated, CAT 5E or better RJ45 cable for use with the W-IAP270 Series Instant access point.

Figure 10 *Installing a Cable Gland*



1. Slide the sealing nut over the cable (without the RJ45 connector attached to the end).
2. Slide the clamping ring over the cable.
3. Using a crimping tool, attach the shielded RJ45 connector to the end of the cable.
4. Remove the weatherproof cap on the Ethernet port.
5. Insert the RJ45 connector to the Ethernet port.
6. Screw the clamping ring onto the Ethernet port.
7. Screw the sealing nut onto the clamping ring.



NOTE: The seals inside the clamping ring by factory default is applicable for cables with 5-8.5 mm diameter. In the cable gland kit, another seals is provided for use with the cables with 7-10 mm diameter.

Connecting the Power Cable



CAUTION: Installation and service of Dell products should be performed by professional installers in a manner that is consistent with the electrical code in force in the jurisdiction of deployment. In many countries this will require a licensed electrician to perform this operation. In Japan, this is a Certified Electrician by Ministry of Economy, Trade, and Industry.



NOTE: The W-IAP270 Series Instant access point does not ship with any power cables. These are available as accessories and must be ordered separately.

The W-IAP270 Series Instant access point offers two ways to connect the unit to AC power. Two power cord variants are available. There is also a connector kit option that allows you to assemble your own cable if the standard offering does not meet deployment needs.

Table 5 *SKUs for Powering Options*

Part Number	Description
PC-OD-AC-P-NA	Weatherproof AC power cable(5m), North America version
PC-OD-AC-P-INT	Weatherproof AC power cable(5m), International (EU) version

Table 5 SKUs for Powering Options

Part Number	Description
CKIT-OD-AC-P	Weatherproof connector kit for AC power interface

The difference between the NA and INTL part variants is the color coding of the conductors.

- The North American cable uses Black (Hot), White (Neutral), and Green (Ground).
- The INTL part follows the international schema of Brown (Hot), Blue (Neutral) and Yellow/Green (Ground)

Best Practice for Outdoor Connection to AC Mains

In all circumstances and with any outdoor infrastructure, the recommended practice is to connect to AC mains in an order grade weather protected junction box. This needs to be implemented by a qualified resource in a manner that is consistent with the electrical code in force in the jurisdiction of deployment. In many countries this will require a licensed electrician to perform this operation.

In Japan, this would be a Certified Electrician by Ministry of Economy, Trade and Industry.

The use of plugs with infrastructure equipment is suitable only for temporary installs where nuisance tripping of GFI plugs is considered tolerable. Should it be desired to attach a plug to the cable assemblies then the installer is expected to follow all directions provided with the plug end in a fashion consistent with local electrical code.

Use of the CKIT-OD-AC-P

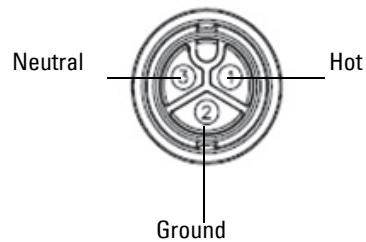
Assembly instructions for this part are shipped with the part. All instructions must be followed to ensure proper assembly of the connector onto the cable.

The required specifications for third party cable used with the CKIT solution are as follows:

- AC power cable specifications (when using AC connector kit and custom cable): minimum voltage/current rating 250V/1A, diameter 6-12mm, rated for outdoor use and UV exposure

AC Power Cable Connector PIN OUT

Figure 11 AC power cable connector



Connecting the Power Cable to the IAP

1. Remove the weatherproof cap on the power interface.
2. Insert the power cable connector into the power interface and hand-fasten the locknut.

Verifying Post-Installation Connectivity

The integrated LEDs on the IAP can be used to verify that the IAP is receiving power and initializing successfully (see [Table 1](#) and [Table 2](#)). Refer to the *Dell Networking W-Series Instant Quick Start Guide* for details on verifying post-installation network connectivity.

Product Specifications

Mechanical

- Device Dimensions (HxWxD)
 - W-IAP274 (without aesthetic cover): 5.5 inches x 9 inches x 9.4 inches (14cm x 23cm x 24cm)
 - W-IAP274 (with aesthetic cover): 7.5 inches x 9 inches x 9.4 inches (19cm x 23cm x 24cm)
 - W-IAP275: 10.6 inches x 9 inches x 9.4 inches (27cm x 23cm x 24cm)
- Weight
 - W-IAP274(without aesthetic cover): 5.3 lbs/2.4 kg
 - W-IAP274 (with aesthetic cover): 6lbs/2.7kg
 - W-IAP275: 5.3 lbs/2.4 kg

Electrical

- Ethernet
 - 2 x 10/100/1000Base-T auto-sensing Ethernet RJ-45 Interfaces
 - MDI/MDX
 - Power over Ethernet (IEEE 802.3at compliant), 48VDC/0.6A
- Power
 - 100-240 VAC 50/60 Hz from external AC power source
 - PoE support on WAN port: 802.3at-compliant PoE sourcing devices

Environmental

- Operating
 - Temperature: -40°C to 60°C (-40°F to 140°F)
 - Humidity: 5% to 95% non-condensing
- Storage
 - Temperature: -50°C to 85°C (-58°F to 185°F)

For additional specifications on this product, refer to the product data sheet on [dell.com](https://www.dell.com).

Safety and Regulatory Compliance



NOTE: For country specific restrictions and additional safety and regulatory information, refer to the multi-language *Dell Networking W-Series Safety, Environmental, and Regulatory Information* document included with this product.

Regulatory Model Name

The following regulatory model names apply to the W-IAP270 Series Instant access points:

- W-IAP274: APEX0101
- W-IAP275: APEX0100

FCC

This device is electronically labeled. To view the FCC ID:

1. Log into the controller WebUI
2. Navigate to **Maintenance > Controller > About**.



CAUTION: Dell access points must be installed by a professional installer. The professional installer is responsible for ensuring that grounding is available and it meets applicable local and national electrical codes.



CAUTION: RF Radiation Exposure Statement: This equipment complies with FCC RF radiation exposure limits. This equipment should be installed and operated with a minimum distance of 13.78 inches (35 cm) between the radiator and your body for 2.4 GHz and 5 GHz operations. This transmitter must not be co-located or operating in conjunction with any other antenna or transmitter. When operated in the 5.15 to 5.25 GHz frequency range, this device is restricted to indoor use to reduce the potential for harmful interference with co-channel Mobile Satellite Systems.

FCC Class B Part 15

This device complies with Part 15 of the Federal Communications Commission (FCC) Rules. Operation is subject to the following two conditions:

- This device may not cause harmful interference.
- This device must accept any interference received, including interference that may cause undesired operation.



CAUTION: Changes or modifications to this unit not expressly approved by the party responsible for compliance could void the user's authority to operate this equipment.

This equipment has been tested and found to comply with the limits for a Class B digital device, pursuant to Part 15 of the FCC Rules. This equipment generates, uses and can radiate radio frequency energy and, if not installed and used in accordance with the manufacturer's instructions, may cause interference harmful to radio communications.

If this equipment does cause interference, which can be determined by turning the equipment off and on, the user is encouraged to try to correct the interference by one or more of the following measures:

- Reorient or relocate the receiving antenna.
- Increase the separation between the equipment and receiver.
- Connect the equipment to an outlet on a circuit different from that to which the receiver is connected.
- Consult the dealer or an experienced radio or TV technician for help.

Complies with the Class B limits for radio noise emissions as set out in the interference-causing equipment standard entitled "Digital Apparatus," ICES-003 of Industry Canada.

Cet appareil numérique de la classe B respecte toutes les exigences du Règlement sur le matériel brouilleur du Canada.

Users are advised that high power Radars are allocated as primary users of the bands 5250-5350 MHz and 5650-5850 MHz and these Radars could cause interference and/or damage to Licensed Exempt WLAN devices.

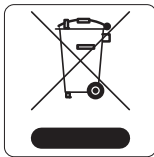
EU Regulatory Conformance

Dell, hereby declares that the APEX0101 and APEX0100 device models are in compliance with the essential requirements and other relevant provisions of Directive 1999/5/EC -CE(!). The Declaration of Conformity made under Directive 1999/5/EC is available for viewing on dell.com.

Proper Disposal of Dell Equipment

For the most current information about Global Environmental Compliance and Dell products, visit dell.com.

Waste of Electrical and Electronic Equipment



Dell products at end of life are subject to separate collection and treatment in the EU Member States, Norway, and Switzerland and therefore are marked with the symbol shown at the left (crossed-out wheeled bin). The treatment applied at end of life of these products in these countries shall comply with the applicable national laws of countries implementing Directive 2002/96/EC on Waste of Electrical and Electronic Equipment (WEEE).

European Union RoHS



Aruba Networks Inc., hereby, being the manufacturer of this product, declares that all CE marked Dell wireless controller and access point products are manufactured in accordance to the provisional requirements set forth in the RoHS Directive 2011/65/EC.

A copy of the Aruba Declaration of Conformity may be obtained upon request from:

Aruba Networks International Ltd.
Building 1000,
Citygate Mahon
Cork Ireland

Please include the regulatory model number located on the product's regulatory nameplate with the request.

China RoHS



Dell products also comply with China environmental declaration requirements and are labeled with the "EFUP 10" label shown at the left.

有毒有害物质声明

Hazardous Materials Declaration


部件名称 (Parts)	有毒有害物质或元素 (Hazardous Substance)					
	铅 (Pb)	汞 (Hg)	镉 (Cd)	六价铬 (Cr ⁶⁺)	多溴联苯 (PBB)	多溴二苯醚 (PBDE)
电路板 (PCA Boards)	×	○	○	○	○	○
机械组件 (Mechanical Sub-Assemblies)	×	○	○	○	○	○

○: 表示该有毒有害物质在该部件所有均质材料中的含量均在 SJ/T11363-2006 标准规定的限量要求以下。
Indicates that the concentration of the hazardous substance in all homogeneous materials in the parts is below the relevant threshold of the SJ/T11363-2006 standard.

×: 表示该有毒有害物质至少在该部件的某一均质材料中的含量超出 SJ/T11363-2006 标准规定的限量要求。
Indicates that the concentration of the hazardous substance of at least one of all homogeneous materials in the parts is above the relevant threshold of the SJ/T11363-2006 standard.

对销售之日的所售产品, 本表显示, 供应链的电子产品信息产品可能包含这些物质。
This table shows where these substances may be found in the supply chain of electronic information products, as of the date of sale of the enclosed product.

此标志为针对所涉及产品的环保使用期标志。某些零部件会有一个不同的环保使用期 (例如, 电池单元模块) 贴在其产品上。
此环保使用期限只适用于产品是在产品手册中所规定的条件下工作。
The Environment-Friendly Use Period (EFUP) for all enclosed products and their parts are per the symbol shown here. The Environment-Friendly Use Period is valid only when the product is operated under the conditions defined in the product manual.



India RoHS

This product complies with RoHS requirements as prescribed by E-Waste (Management & Handling) Rules, governed by the Ministry of Environment & Forests, Government of India.

Canadian Statement

Under Industry Canada regulations, this radio transmitter may only operate using an antenna of a type and maximum (or lesser) gain approved for the transmitter by Industry Canada. To reduce potential radio interference to other users, the antenna type and its gain should be so chosen that the equivalent isotropically radiated power (e.i.r.p.) is not more than that necessary for successful communication.

This device complies with Industry Canada licence-exempt RSS standard(s).

Operation is subject to the following two conditions: (1) this device may not cause interference, and (2) this device must accept any interference, including interference that may cause undesired operation of the device.

Canadian Caution

This radio transmitter (identify the device by certification number, or model number if Category II) has been approved by Industry Canada to operate with the antenna types listed below with the maximum permissible gain and required antenna impedance for each antenna type indicated. Antenna types not included in this list, having a gain greater than the maximum gain indicated for that type, are strictly prohibited for use with this device.

Gain of antenna: 14.0dBi max/10dBi max;

Type of antenna: directional/omni;

Impedance of antenna: 50ohm

Le présent émetteur radio (identifier le dispositif par son numéro de certification ou son numéro de modèle s'il fait partie du matériel de catégorie I) a été approuvé par Industrie Canada pour fonctionner avec les types d'antenne énumérés ci-dessous et ayant un gain admissible maximal et l'impédance requise pour chaque type d'antenne. Les types d'antenne non inclus dans cette liste, ou dont le gain est supérieur au gain

maximal indiqué, sont strictement interdits pour l'exploitation de l'émetteur.

Gain d'antenne: 14.0dBi maximal/10dBi maximal;

Type d'antenne: 50 ohm, directionnel/omni.

Philippines (W-IAP274)



NTC

Type-Approval No.
ESD-1408699C

Philippines (W-IAP275)



NTC

Type-Approval No.
ESD-1408698C

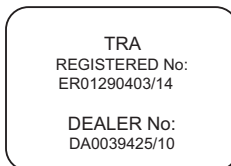
Hong Kong (W-IAP274)



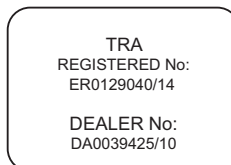
Hong Kong (W-IAP275)



UAE (W-IAP274)



UAE (W-IAP275)



Singapore (W-IAP274 and W-IAP275)

Complies with
IDA Standards
DB101525

This page is intentionally left blank.

This page is intentionally left blank.

Contacting Dell

Website Support	
Main Website	dell.com
Contact Information	dell.com/contactdell
Support Website	dell.com/support
Documentation Website	dell.com/support/manuals

Copyright

© 2014 Aruba Networks, Inc. Aruba Networks trademarks include  , Aruba Networks®, Aruba Wireless Networks®, the registered Aruba the Mobile Edge Company logo, and Aruba Mobility Management System®. Dell™, the DELL™ logo, and PowerConnect™ are trademarks of Dell Inc.

All rights reserved. Specifications in this manual are subject to change without notice.

Originated in the USA. All other trademarks are the property of their respective owners.

Open Source Code

Certain Aruba products include Open Source software code developed by third parties, including software code subject to the GNU General Public License (GPL), GNU Lesser General Public License (LGPL), or other Open Source Licenses. The Open Source code used can be found at this site:

http://www.arubanetworks.com/open_source

Includes software from Litech Systems Design. The IF-MAP client library copyright 2011 Infoblox, Inc. All rights reserved. This product includes software developed by Lars Fenneberg, et al.

Legal Notice

The use of Aruba Networks, Inc. switching platforms and software, by all individuals or corporations, to terminate other vendors' VPN client devices constitutes complete acceptance of liability by that individual or corporation for this action and indemnifies, in full, Aruba Networks, Inc. from any and all legal actions that might be taken against it with respect to infringement of copyright on behalf of those vendors.

